

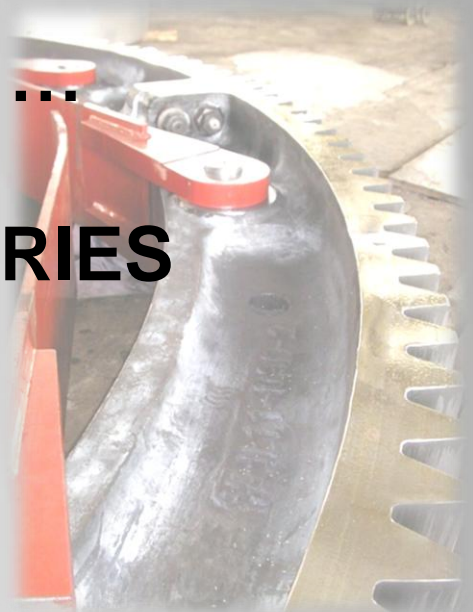


**sercem**  
industrie

**SPARE PARTS REGARDING:  
HEAVY EQUIPMENTS**

**KILNS, MILLS, CRUSHERS ...**

**MINING, QUARRIES & FACTORIES**





# sercem

industrie

## forging

### KILN ROLLERS :

Diameter : 2500 mm

Mat : 42CrMo4

Weight : 40 tonnes



### PINION:

Teeth : 27

Mod: 40

Mat : 42CrMo4



### KILN TYRE :

Diam : 4607 mm

Width : 337 mm

Mat : 42CrMo4



# sercem

industrie

## Casting

### GIRTH GEAR :

Teeth : 146

Mod : 32

Mat. : 35CrMo4



### GIRTH GEAR :

Teeth : 128

Mod: 40

Width: 490 mm

Mat. : 35CrMo4



# sercem

industrie

## Casting

HOUSING :  
Mat.: GE 280



KILN NOSE RING :  
Mat. : AISI 310 (NS 30)



MILL LINERS:  
Mat.: X120Mn12



KILN HALF BUSHES :  
Mat. : Cu Sn7 Pb15



# sercem

industrie

## Welding & Boiler works

### KILN SHELL SECTION

Mat. : P265GH



### DRYER ENTER PIECE

Mat. : P265GH



### STEEL APRON FEEDERS

PIECES :

Mat. : S 235 JR



# sercem

industrie

## Under sets

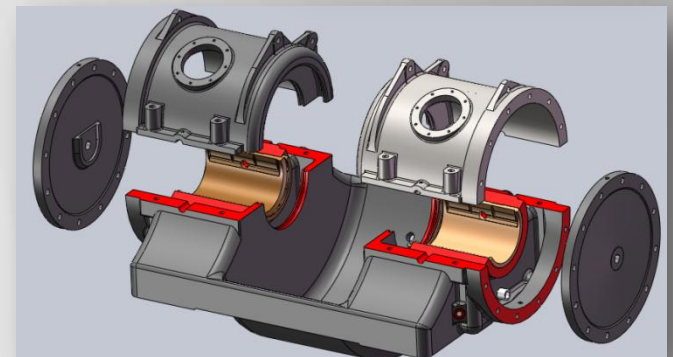
### KILN SHELL SECTION :

Shell under tyre  
Tyre  
Floating Pads



### COMPLETE HOUSINGS :

Ready to installed





# sercem

industrie

## VARIOUS PIECES FOR CRUSHERS





# sercem

industrie



## ASSEMBLING

Thanks to our references & mechanical know how , we are able to propose according to your drawings and technical specifications , the control of the manufacturing , assembling of different components & the erection or supervision everywhere in the world ..

## A WORLDWIDE CUSTOMERS & PRESENCE

Thanks to our offices around the world we are able to control the various steps of the fabrications .

It is a real asset which allows to be closer to the customers .

The quality is better & we are more competitive !